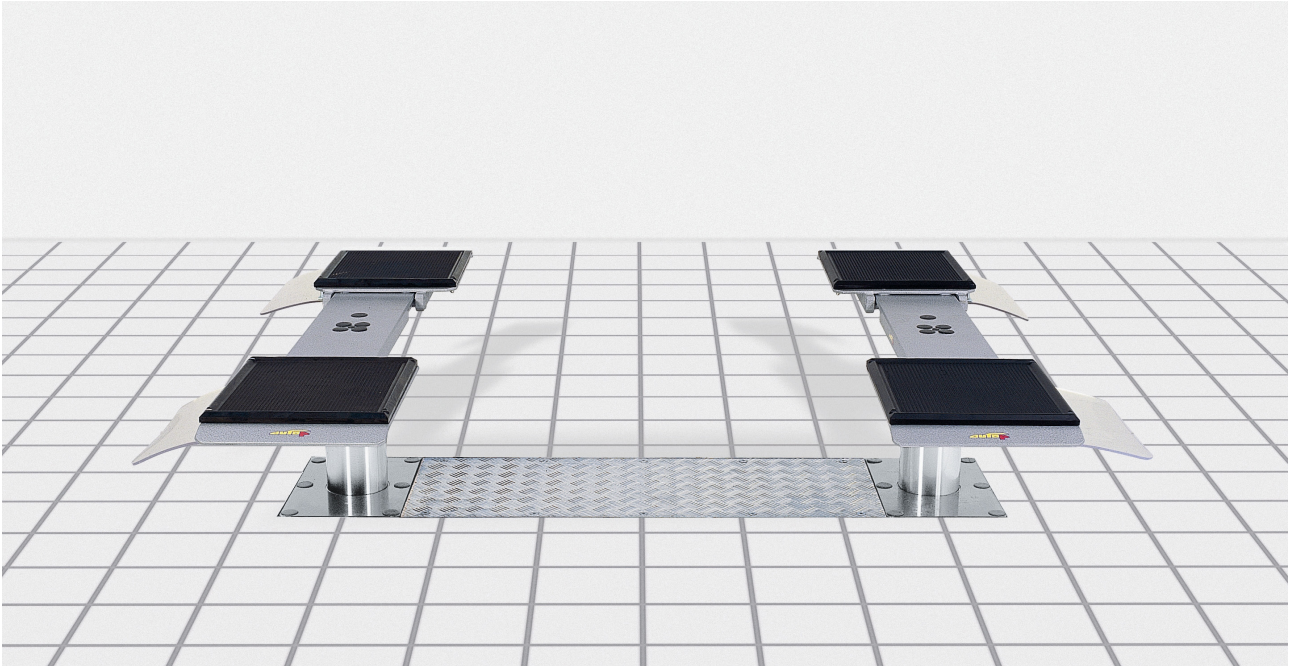


autop Eurolift 2.30 Pv or Pv xy

120-180, 140-200, 160-220



OPERATIVE RANGE:

Check-in, repair and maintenance, test, inspection and reception



PARTICULAR FEATURES:

Hydraulic twin-ram inground lift for reception and repair.

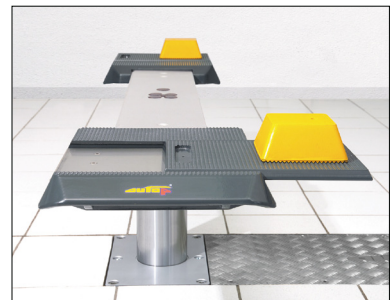
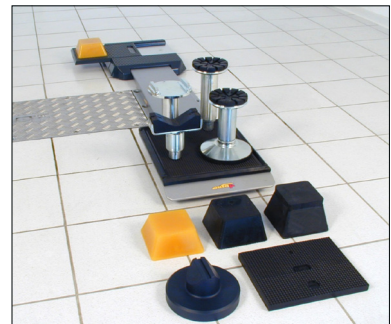
APPLICATION:

The Eurolift 2.30 Pv „repair“ is a uncomplicated and solid hydraulic car lift, appropriate to lift up a great range of vehicles. This lift offers high operational characteristics and efficiency.

The drive-on is comfortable and the length-adjustment is very easy, even if the car is already on the lift.

Handy accessories as rubber blocs complete this standard lift.

All areas of a car dealership are depending on different workshop equipment with different types of lifts. autop offers a proven concept. With autop products you will obtain a better added value in your workshop.



Upwards with security!

autop Maschinenbau GmbH * Sandkampstraße 90 * D-48432 Rheine
Tel. +49 (0)5971/8602-02 * Fax +49 (0)5971/860225 * E-Mail: mail@autop.de * www.autop.de

autop Eurolift 2.30 Pv or Pv xy

120-180, 140-200, 160-220



TECHNICAL DATA:

Lifting capacity:	3,000 kg
Piston distance:	1,335 mm
Stroke length:	1,950 mm
Lifting height:	2,020- 2,100 mm
Lifting/lowering time:	approx. 30 sec.
Cylinder diameter:	2x123 mm
Foundation depth:	2,615 mm
Voltage:	230/400 V / 50 Hz, 16 A,
Pump unit:	3.0 kW

COMPONENTS:

- Two hydraulic cylinders made of micro-alloyed high grade steel with hard-chrome plated surface, cylinder running on teflon sliding rings.
- Bearing guide elements made of high quality special alloy, wear resisting.
- Flexible traverse cross arm, effective as synchronising/safety device as well as torsional lock.
- Pump unit integrated in the cassette.
- Push button control for lifting/lowering with lockable key switch/main switch.
- Installation in a waterproof cassette. On request dipped galvanized and/or self-carrying.
- Two on-floor repair platforms, extendable alternatively:
1,200 - 1,800 mm
1,400 - 2,000 mm
1,600 - 2,200 mm.

OPTIONS:

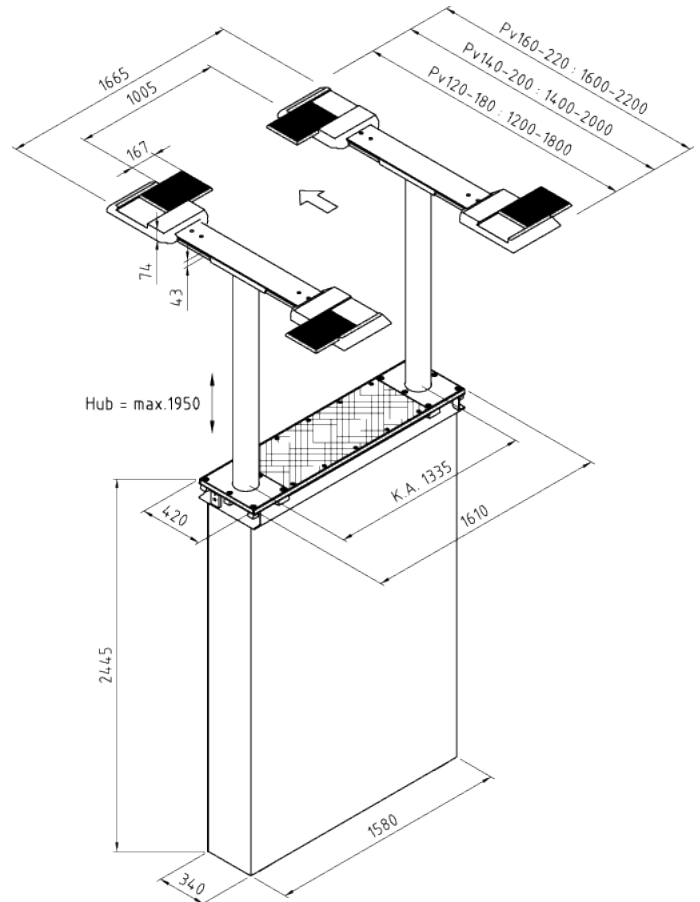
- The optional **xy-heads** increase the comfort and the lifting area.
- Other accessories on request.

STANDARD PAINT:

Standard: hot-galvanized

SPECIAL PAINT:

On request



MOREOVER:

Our expert consultants would appreciate to help you with the planning of a new garage or the modernization of an existing one. We offer to work out a workshop concept including an equipment proposal. Please do not hesitate to contact us.

No liability accepted for specifications that are subject to alteration - validity 01/2011

The data and pictures in this product information are not binding and are only giving an approximate description. Moreover we reserve the right of differences between the goods delivered and the data and pictures given here (i.e. technical data, equipment, material and optical appearance) so far as the differences are reasonable for the customer and a possible reduction in value or utility value of the goods delivered is not considerable:



Upwards with security!

autop Maschinenbau GmbH * Sandkampstraße 90 * D-48432 Rheine
Tel. +49 (0)5971/8602-02 * Fax +49 (0)5971/860225 * E-Mail: mail@autop.de * www.autop.de